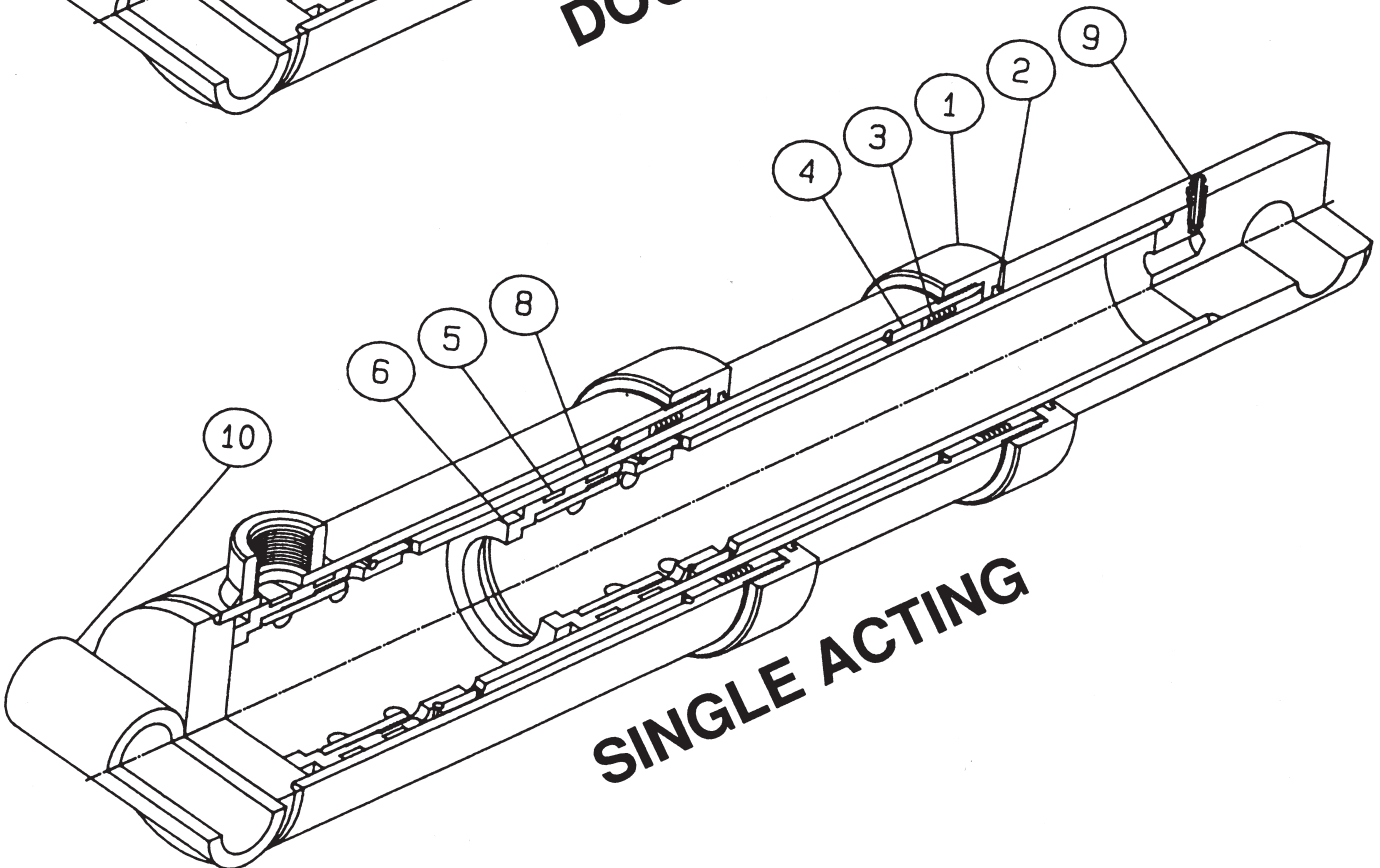
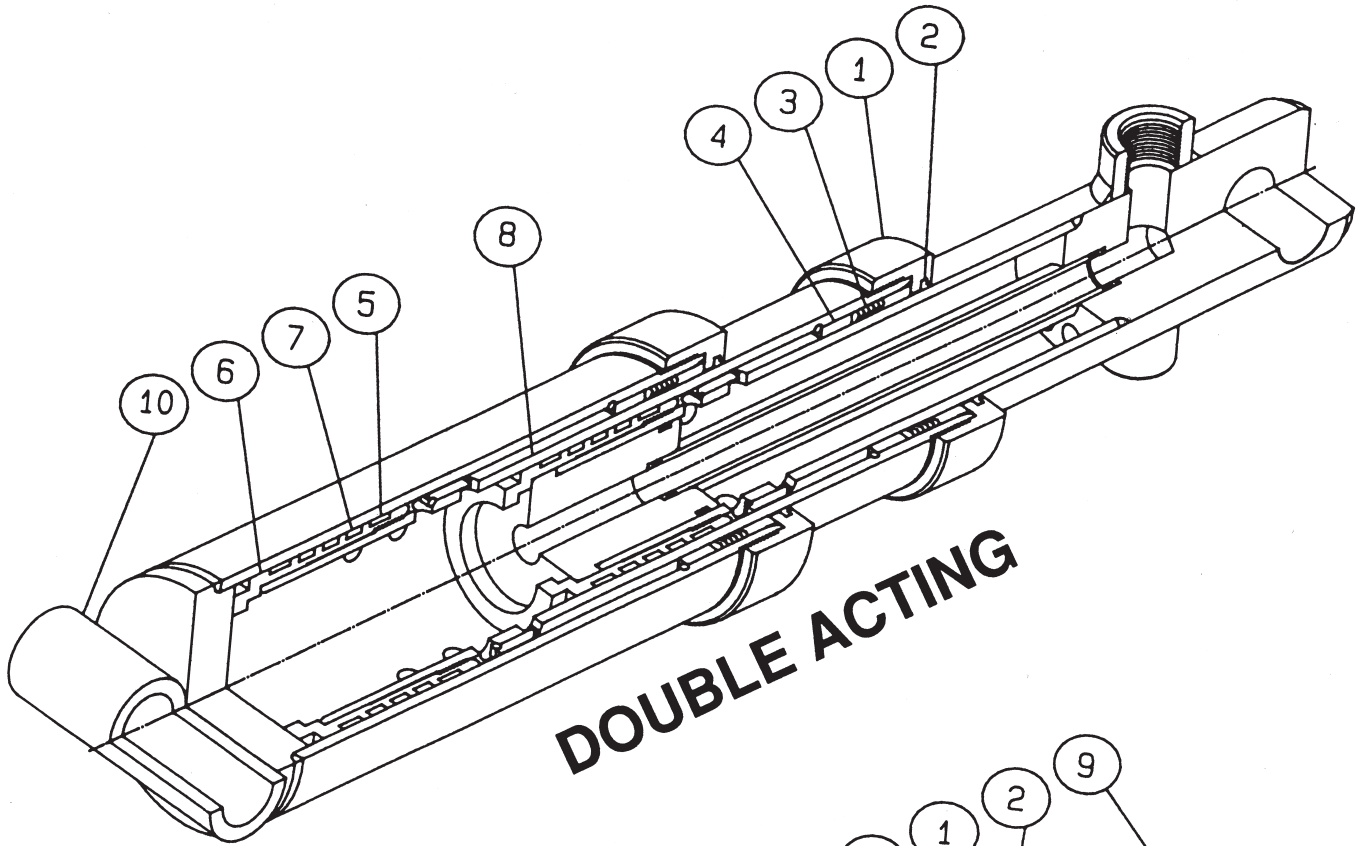




# TELESCOPIC CYLINDERS FROM PRINCE

Double & Single Acting





# FEATURES OF THE PRINCE TELESCOPIC CYLINDER

- 1. GLAND CAP**

All steel, externally threaded gland caps provide adjustment of the vee packing.
- 2. WIPER**

Urethane wiper in gland cap to help keep dirt from getting to the seals.
- 3. ROD SEALS**

Homogenous vee sets made of alternating hytrel and nylon.
- 4. GLAND BEARINGS**

Glass-filled nylon bearing rings are used on both sides of the vee seals to eliminate metal-to-metal contact of the chromed stages.
- 5. PISTON BEARINGS**

Glass-filled nylon bearing rings are used at each end of the steel piston to eliminate metal-to-metal contact in the precision tube bores.
- 6. PISTONS**

One-piece threaded construction. The pistons are grooved to contain the bearing rings and the sealing piston rings (double acting only). Each piston also serves to catch the next smaller stage when the cylinder is retracted.
- 7. PISTON SEALS**

Interlocking step-cut cast iron rings provide port passing capability for the cross holes that feed the retracting oil to each stage.
- 8. TUBE STAGES**  
and  
Tube

Stage construction is of C-1026 carbon steel, precision skived burnished or honed for control of roundness and surface finish. outside diameters are ground and chromed to provide close control of tolerance, reduce friction and improve wear resistance.
- 9. BLEEDER**

Provided in the small stage of the single acting models to remove trapped air. Bleeders are not usually needed in the double acting since the cylinder fills with oil on both ends.
- 10. END FITTINGS**

An assortment of end fittings are provided for both ends of the cylinder to fit various applications.
- 11. CUSTOM DESIGN**

Special designs are also manufactured. One of our plants specializes the manufacture of telescopic's of all types. Extra short closed lengths, special chrome, no-drift designs, both ports on the main tube, and load holding checks are examples of special telescopic's made by Prince. Variations to the standard models will require additional documentation. Please contact your Prince Sales Representative.



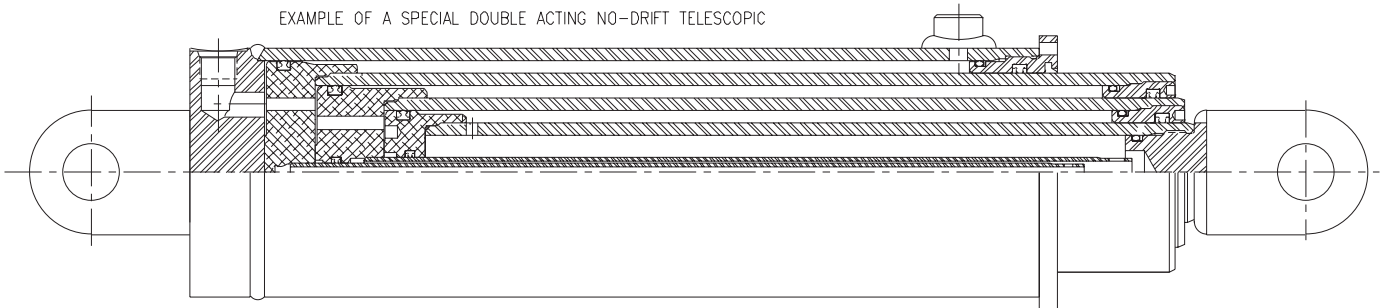
# CUSTOM TELESCOPIC CYLINDERS

For some applications, the standard cylinders may not meet all requirements. When this happens, Prince has a staff of engineering personnel to create the special design that is required.

Examples of items a custom telescopic cylinder may require:

- Extra short retracted length.
- Special end fittings.
- Higher pressures.
- Special plating for the stages.
- Holding valves.
- Special seals.
- No-drift piston seals. This is a different design concept where the cross-holes in the stages are eliminated. This design allows the use of soft (urethane, teflon, etc.) piston seals which in turn will allow no drift to take place.

EXAMPLE OF A SPECIAL DOUBLE ACTING NO-DRIFT TELESCOPIC



EXAMPLE OF A SPECIAL SINGLE ACTING, COMPACT DESIGN, CHROME STAGED TELESCOPIC

